



Description

A bubble suspended within a large sphere...
This sophisticated structure evokes a sense of levitation in mid-air. The outer handblown glass sphere features a glossy transparent or smoke grey finish, while the inner glass core comes in a matte finish.



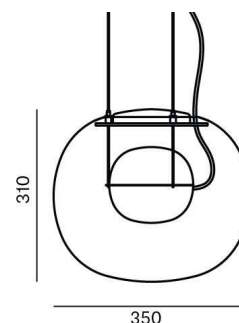
Tech. description The light comprises a matte glass core with G9 socket. The core is suspended from three steel cables attached to the ceiling by means of brackets. The cables also support a metal ring from which the outer glass sphere is suspended. The electrical connection is made in the ceiling canopy, which houses an insulated box for double insulation.

Colours options: https://brokis.sharepoint.com/:b:/s/brokis_sp/EcGQX0fmTmFAqKB0iKY9hAUBs3cP3hy3qCan7JAluH3Ev

CONSTRUCTION SPECIFICATION

Weight:	5 kg
Construction material:	glass, metal
Cord length [mm]:	2,000 mm
Mounting:	Ceiling
Environment:	Indoor

DIMENSIONS [mm]

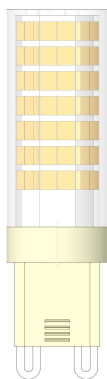


ELECTRICAL SPECIFICATION

Input voltage [V]:	230 V
Frequency [Hz]:	50-60 Hz
Max. power [W]:	10 W LED
Coverage IP:	20
Socket:	G9
Light source:	-
Energy class:	A+ to B depending on light source

CERTIFICATIONS





CM7632

Socket	G9
Type	LED
Lamp wattage [W]	4.5 W
Input voltage [V]	220 - 240 VAC
Energy class	A+
Flux [lm]	399 lm
Light colour [K]	2700 K
CRI	80+
Lifespan [h]	15000h
Dimmable	yes
Dimensions h x w [mm]	54 x 18 mm



DATASHEET

RECOMENDED CANOPY



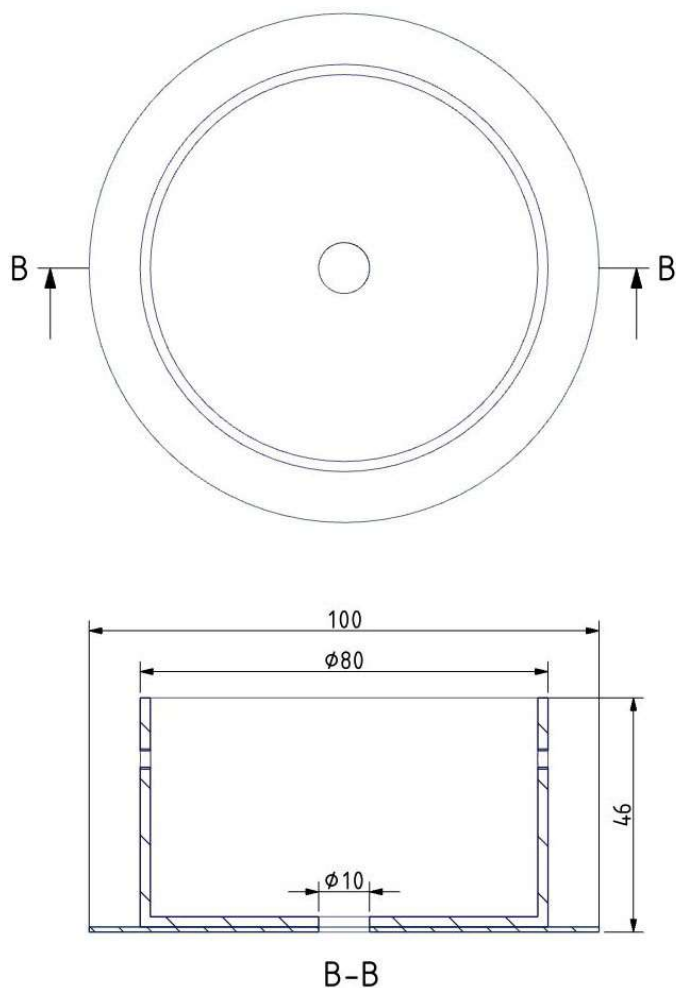
Download

CEILING CANOPY

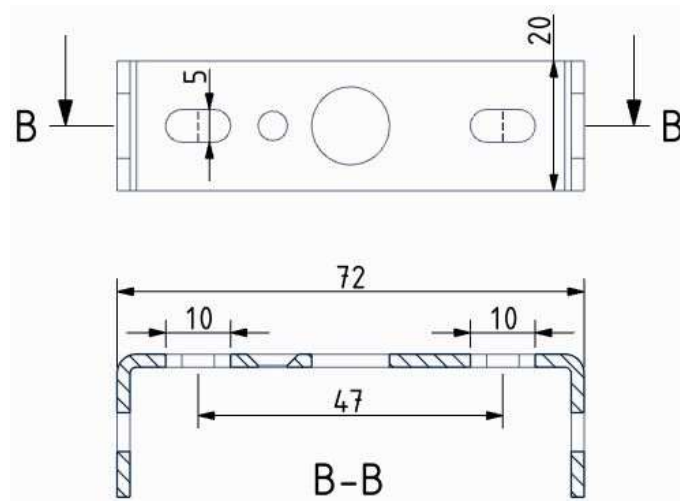
Dimensions $O \times w$ [mm] 100 x 46 mm
Weight [kg] 0,3 kg
Material metal



Drawing



Canopy bracket



BROKIS S.R.O.
ŠPANILOVA 1315/25
163 00 PRAHA 6 - ŘEPY
CZECH REPUBLIC

ORG ID 64940799
VAT ID CZ64940799
C 42174 MĚSTSKÝ SOUD
V PRAZE

TEL +420 567 211 517
TECHNICAL@BROKIS.CZ
INFO@BROKIS.CZ
WWW.BROKIS.CZ

2020_08
PAGE 3