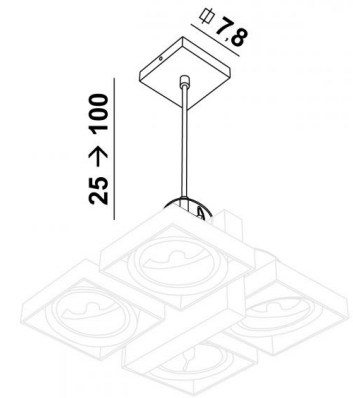




SARGAS 4 SUSPENSION



SARGAS 4 mounted on a SARGAS 4 SUSPENSION



Adjustable hanging system to add to a ceiling spotlights SARGAS 4 and to use as a suspension

OVERALL SIZES

#7,8cm H25→100cm

BASE

#7,8 x 1,8cm

TECHNICAL DATA

This suspension includes :

A ceiling base with a fixing plate (plan in PDF)

One set of two telescopic tubes

Suspension adjustable in height during installation

On request : a longer suspension tube

AVAILABLE METAL FINISHES AND CODES



29 - Brushed bronze - 5478 029



32 - Brushed chrome - 5478 032

