



Description

The concept of a line of light is rooted in the varying characteristics of the material and its forms. The design employs the effect of light uniformly dispersed over a sandblasted surface, which in profile creates the impression of a luminous line.

Tech. description

The light consists of a glass base with lead cable, glass diffuser, and GZ10 light source socket. The glass shade rests atop the base.

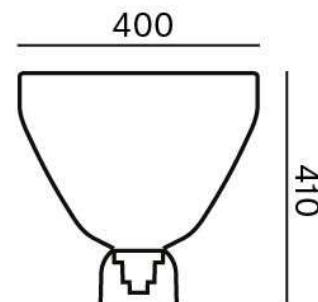


Colours options: https://brokis.sharepoint.com/:b/s/brokis_sp/EVavNfgG5ANBqZG9r2cBcyMBkw-DIDNMdlnSBSnkV1LnC

CONSTRUCTION SPECIFICATION

Weight:	4 kg
Construction material:	glass, metal
Cord length [mm]:	2,250 mm
Mounting:	Table
Environment:	Indoor

DIMENSIONS [mm]



ELECTRICAL SPECIFICATION

Input voltage [V]:	230 V
Frequency [Hz]:	50-60 Hz
Max. power [W]:	10 W LED
Coverage IP:	20
Socket:	GZ10
Light source:	-
Energy class:	A+ to E depending on light source

CERTIFICATIONS



DATASHEET

RECOMMENDED BULBS



Download



CM3037

Socket	GU10
Type	LED
Lamp wattage [W]	5 W
Input voltage [V]	220 - 240 VAC
Energy class	A+
Flux [lm]	336 lm
Light colour [K]	2700 K
CRI	90+
Lifespan [h]	25000h
Dimmable	yes
Dimensions h x w [mm]	55 x 50 mm

